

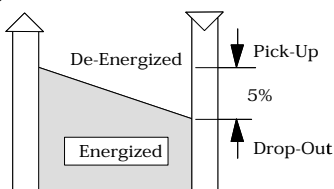


- 35mV to 430mV AC/DC
- 600V Overtolerance
- 10 Amp, SPDT
- Noise Filter
- Adj. Sensitivity
- Adj. Time Delay
- Normal or Reverse Operation
- Din or Surface Mount
- Plug-In Terminal Block



Operation

An AC supply voltage must be provided to the ZV continuously. While the ZV will drop-out and pick-up based on an adjustable millivolt set point, the signal circuit will accept up to 600VAC or DC. With no voltage on the signal terminals, the internal relay is energized, transferring the output contacts. When the voltage exceeds the set point, the relay will de-energize. When used on Zero Speed applications, a loss of input voltage will cause the relay to remain de-energized as if the motor were still running. Reverse operation is available. For DC current sensing, select a 100mV shunt of the correct current rating and connect the shunt in series with the load and in parallel with the ZV's signal terminals.



Specifications

Electrical

Supply Voltage: 24 to 240 VAC, $\pm 10\%$, 2W

Sense Ranges:

DC Sensitivity: 35mV to 430mV

AC Sensitivity:

38mV @ $\leq 6\text{Hz}$, Typ.

380mV @ $\geq 60\text{Hz}$, Typ.

Hysteresis: 5% of set point, AC/DC typical

Signal Impedance: 100K Ω minimum

Time Delay:

1 sec. Fixed or 0.5-40 sec. Adjustable

60 Hz Rejection: 10 times DC Sensitivity at most sensitive setting.

Frequency: DC to 400 Hz

Max. Continuous Sense Voltage:

600 Volts, AC or DC

Output Rating:

Resistive: 10 Amps @ 240VAC

V-A Rating: 180VA Max.

Rating Code: C300

Physical

Mounting: Din Rail or Surface,
#6 Screw

Termination: Plug-In Terminal Block

Packaging: Vertical Case

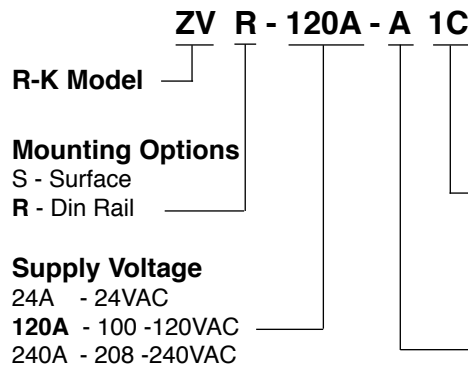
Weight: 8 Oz.

Ambient Temperatures

Operating: 0°C to 65°C

Storage: -40°C to 85°C

Ordering Information



Output Contacts

1C - SPDT

AB - 1 NO, 1 NC

2A - 2 NO

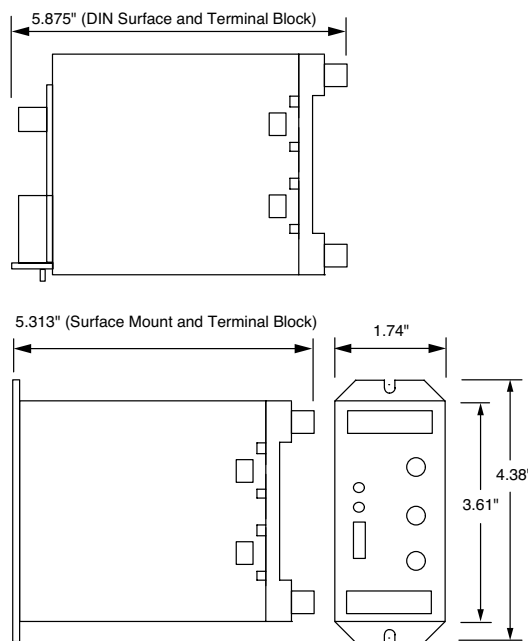
Adjustments

A - Adjustable Time & Sensitivity

F - Fixed: 1 sec. & 35mV

S - Special

Dimensions



Connections

